

TOOLS YOU'LL NEED FOR INSTALLATION

- Drill (90° gun is preferred)
- Drill bits 1/16", 1/8", 7/32"
- Center punch
- Deburring tool
- 2mm, 3mm allen wrench
- 5.5mm, 8mm hex wrench
- Masking tape
- Sharpie
- Safety glasses
- Catch mat

WARNING!

Always wear gloves and protective eye-wear when operating a drill of any kind.

WARNING!

If any part of this installation seems beyond your level of installation experience, please seek the help of a certified professional.

INSTALLATION (SEE REVERSE SIDE FOR EXPLODED VIEWS)

For Brake & Clutch Pedals

1. Lay down a blanket or "catch mat" underneath your work area to collect debris from drilling
2. Remove the factory pedal covers on brake & clutch (if applicable)
3. Cover the brake & clutch pedals with masking tape
4. Place the new billet pedal cover on top of the pedal, and use a sharpie to mark the center of the mounting holes
5. Remove billet cover and center punch the center of marked dots
6. Drill holes at marked locations stepping up from 1/16" to 1/8" to 7/32" drill bits. Make sure to drill perpendicular to surface. It is recommended that you use a 90 degree drill gun for this.
7. Remove masking tape and debur the holes
8. Install billet covers with provided countersunk bolts, nuts, and nylock nuts

For Fuel Pedals

1. Apply 3M tape stripe to backside of cover in the middle horizontally
2. Use flat bracket for bottom and bent bracket for top and install billet cover onto OE plastic cover with supplied hardware.

Enjoy your new pedals from Shelby Performance Parts!

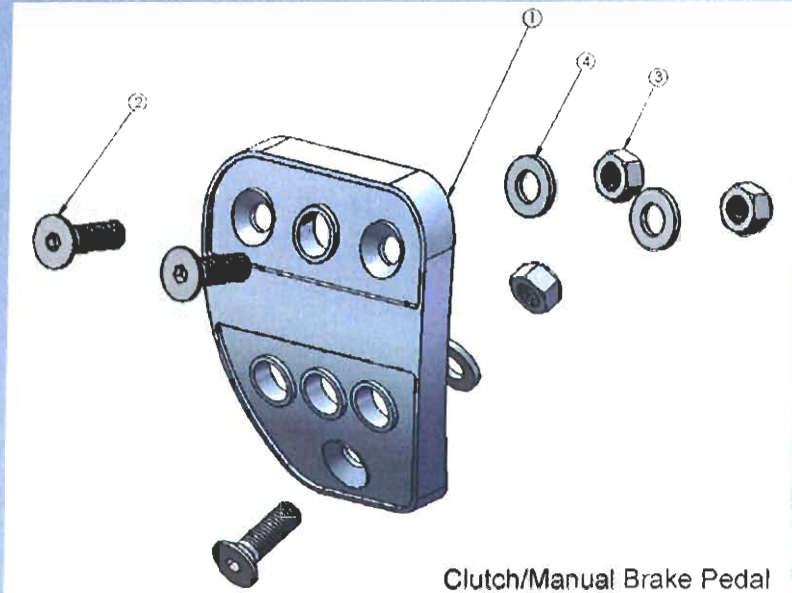


Shelby Performance Parts, LLC

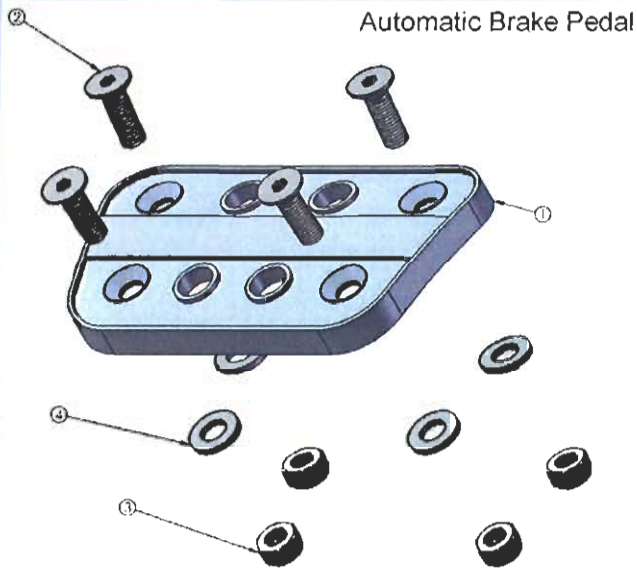
130 Cassia Way, Henderson, NV 89014-6615

Tel: (702) 405-3500 Fax: (702) 405-3509

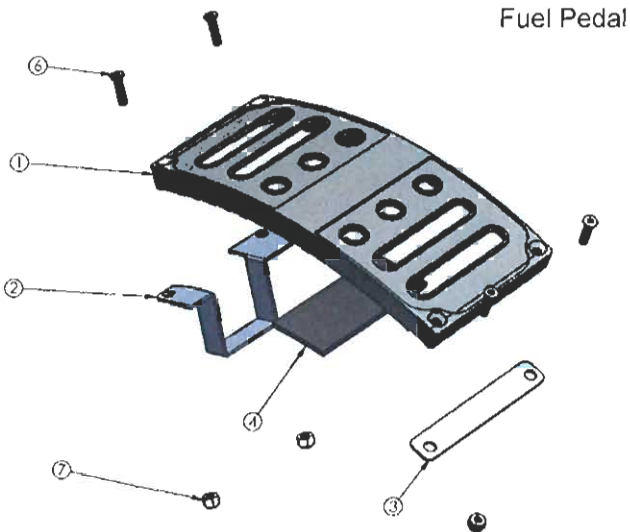
www.ShelbyPerformanceParts.com



Clutch/Manual Brake Pedal



Automatic Brake Pedal



Fuel Pedal